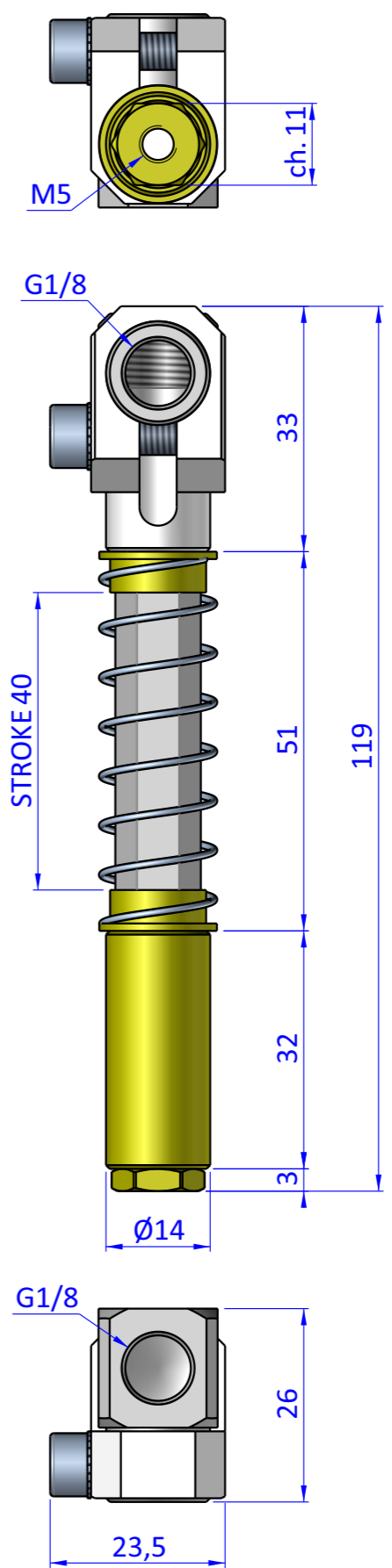
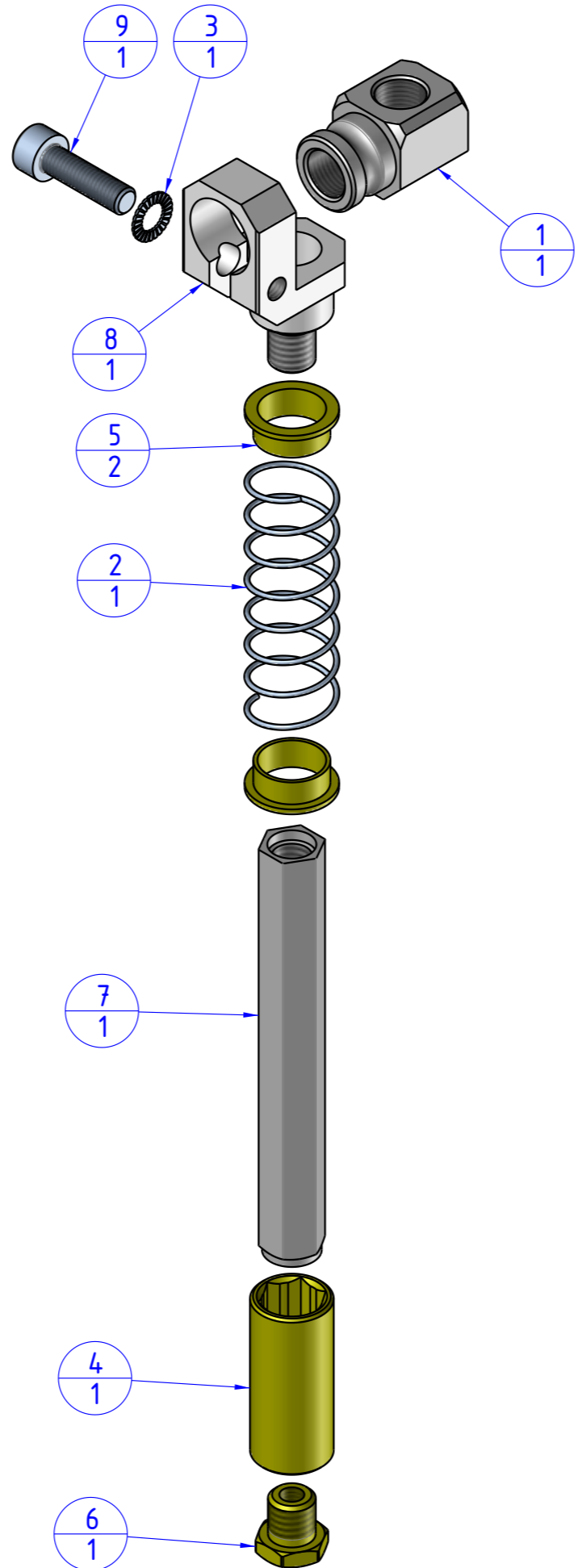



THE PROPERTY OF THE DRAWING IS ESTABLISHED BY LAW. IT IS FORBIDDEN TO PRODUCE OR SHOW IT TO THIRD PART. WITHOUT A WRITTEN AGREEMENT.

Item	Name	Q.ty
1	GGB.14.18.18	1
2	M.14.8X55	1
3	R.5.SCH	1
4	SAE.14181815.3	1
5	SAE.14181815.4	2
6	SAE.14181815.5	1
7	SAE.14181840.1	1
8	SAS.14.1	1
9	V.TCE5x18	1



 FPS FPSERVICES AUTOMATION		DESIGNED FROM		REVIEW
		FPS Automation		A
GENERAL TOLERANCE		DATE	WEIGHT	
UNI - ISO 2768		21/01/2022	0,064kg	
CLASSE f		DESCRIPTION	CODE	
		CA.SAS.14181840	CA.SAS.14181840	

Format A3
UNI 936-76